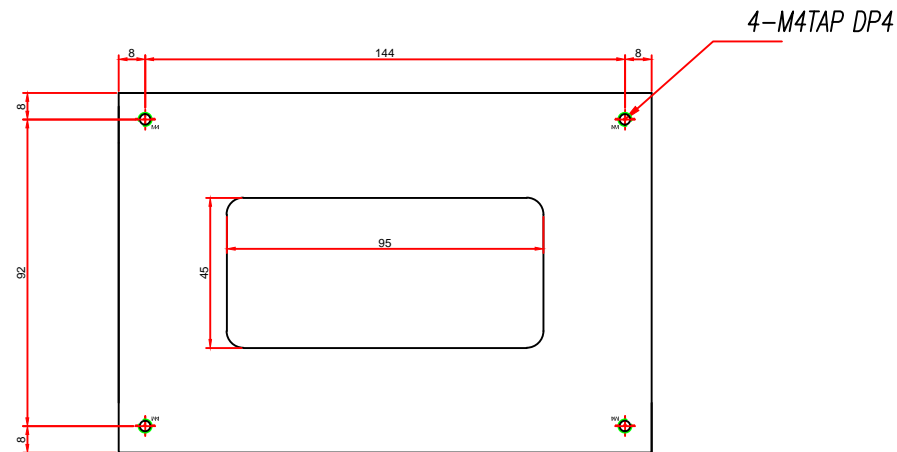
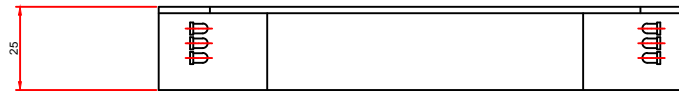
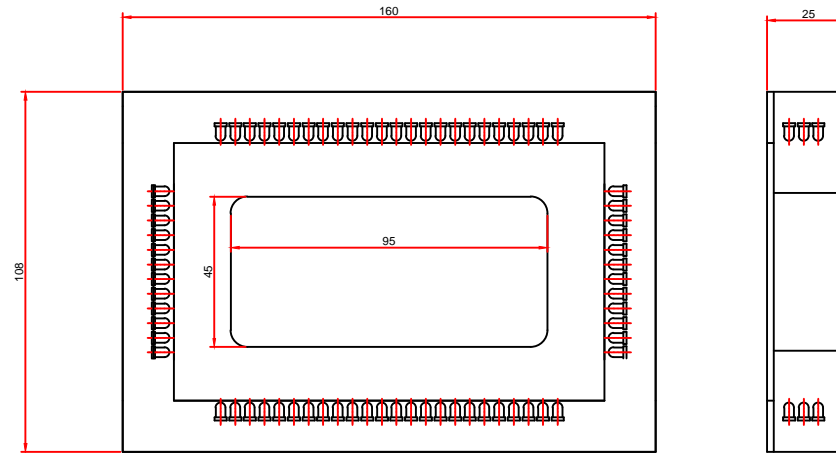


| | | | | | | | | | |
|--------------|-----------------|------|-------|----|----|----|------|-----|-----|
| Model Name | JL-SL-Q-160*108 | | | | | | 전압옵션 | LED | |
| Color Option | IR | RD | SW | NW | GR | BL | UV | 12V | 216 |
| Watt | | 8.7W | 17.3W | | | | | | |



PIN MAP

