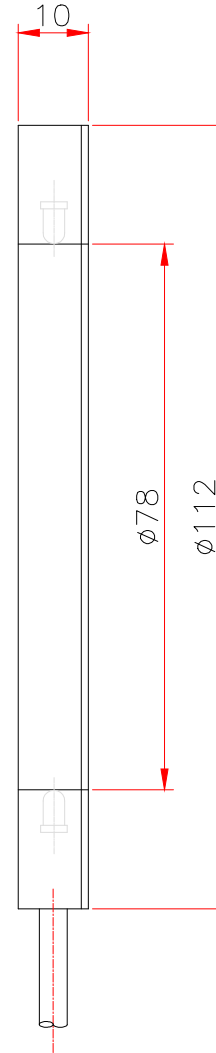
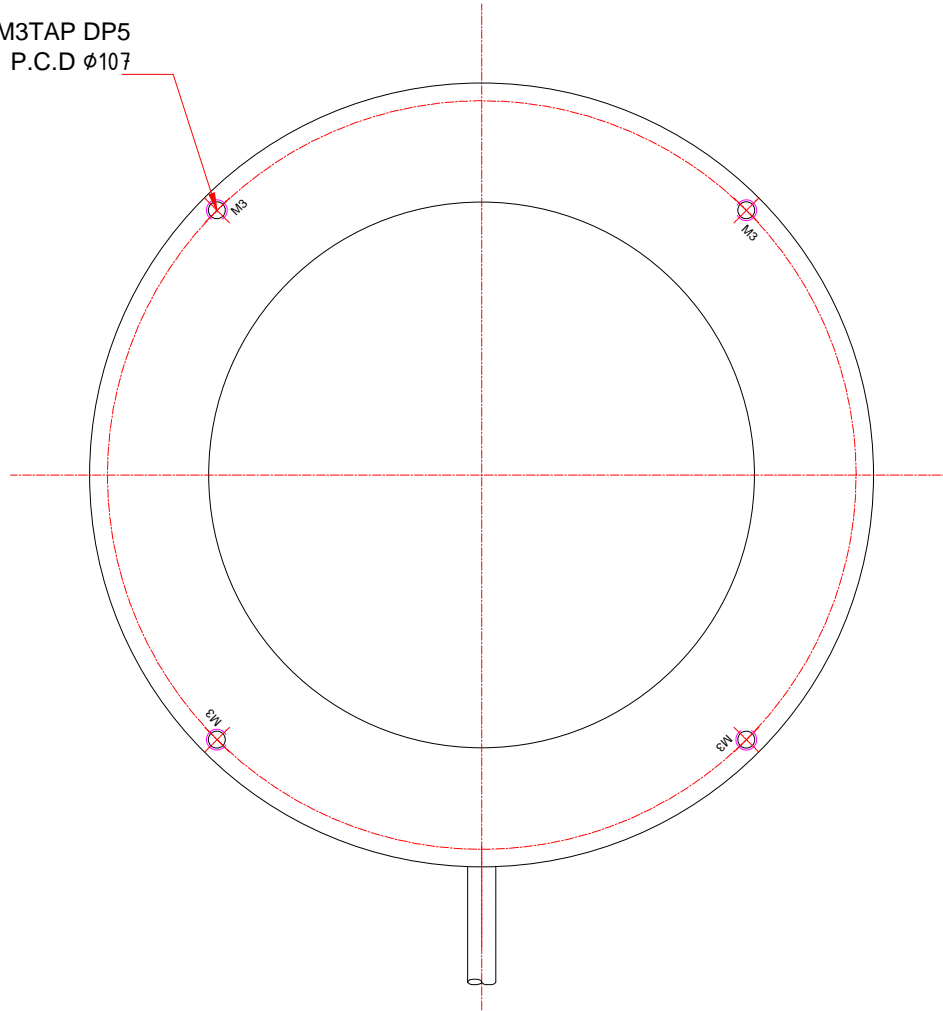


Model Name	JL-R-AS-112*78						전압옵션	LED	
Color Option	IR	RD	SW	NW	GR	BL	UV	12V / 24V	48
Watt		2W	3.9W						

4-M3TAP DP5
P.C.D ϕ 107



PIN MAP

