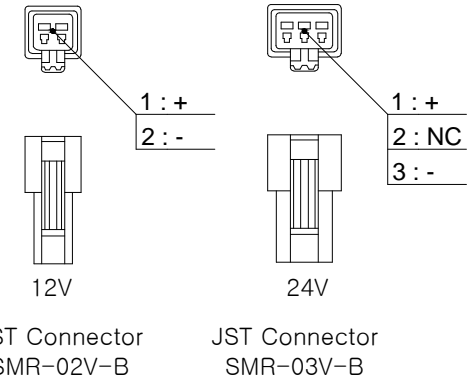


Model Name	JL-R-AC-74*44						전압옵션	LED	
Color Option	IR	RD	SW	NW	GR	BL	UV	12V / 24V	84
Watt		3.4W	6.8W						

## PIN MAP



4-M3TAP DP5  
P.C.D  $\phi 60$

